

LED DISK LIGHT



Application: Ideal for residential place, office, hallways, utility room and commercial place such as hotel rooms.

Description

LED Disk Down Lights can be directly install to the ceiling and direct wired to a 4"/6" junction box without housing can. It instant bright light in your kitchen, family room, bedroom, bathroom, and common areas of your home or office.

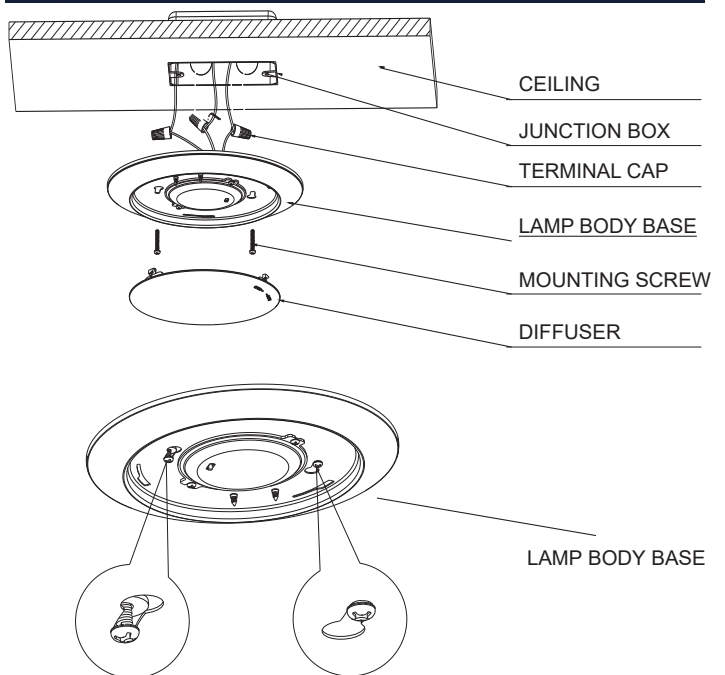
Certifications



SPECIFICATIONS

Model No.	HY -DSL-R4-10W-3CCT	HY -DSL-R6-15W-3CCT
Wattage	10W	15W
Size	4"	6"
Lumens	650 LM	1000 LM
Rated Input Voltage(V)	AC120V 60Hz	
CCT	CCT Selectable: 3000K/4000K/5000K	
Beam Angle (°)	120°	
Dimming	Triac dimming	
Color Rendering Index	Ra>80	
Power Factor	0.95	
Working Temperature	-4 ° F ~ +105 °F / -15°C ~40°C	
Environment Location	IP 20 – Indoor Only	
Lifespan	Lumen Maintenance over 70% @ 50,000+ Hours	
Body Finish	White	
Certificate	ETL	
Package Info	19.3"X7.5"X13.2"	23.4"X7.5"X15.9"
PC/ Master Pack	30	30
Weight	13.9 LB	19.2LB

STRUCTURE

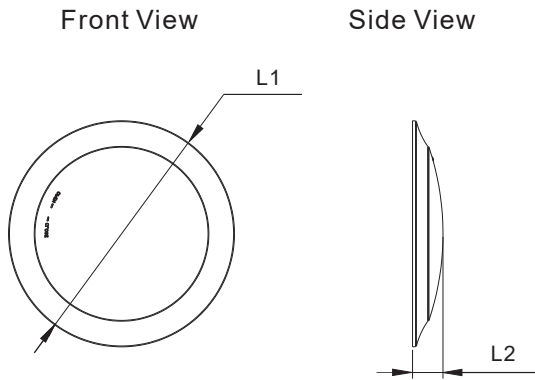


ORDERING CODE DEFINITION

EXAMPLE: HY -DSL-R4-10W-3CCT

Company Code	Product	Size	Watt	CCT
HY	DSL: Disk Light	R4: Round 4 inch	10W	3 CCT Selectable: 3000K/4000K/5000K
		R6: Round 6 inch	15W	

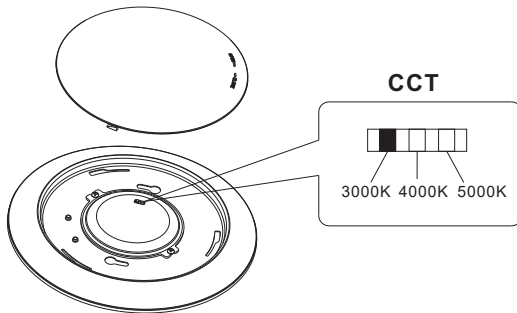
PRODUCT DIMENSION



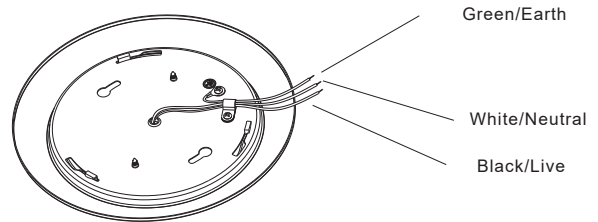
Model No.	HY-DSL-R4-10W-3CCT	HY-DSL-R6-15W-3CCT
Size		
L1	Φ 150mm/Φ 5.9"	Φ 185mm/Φ 7.28"
L2	25mm/0.98"	25mm/0.98"

INSTALLATION GUIDE

1 CCT Adjustable



2 Wiring Guide



PHOTOMETRIC REPORT

